

PINTU FLAP GATE

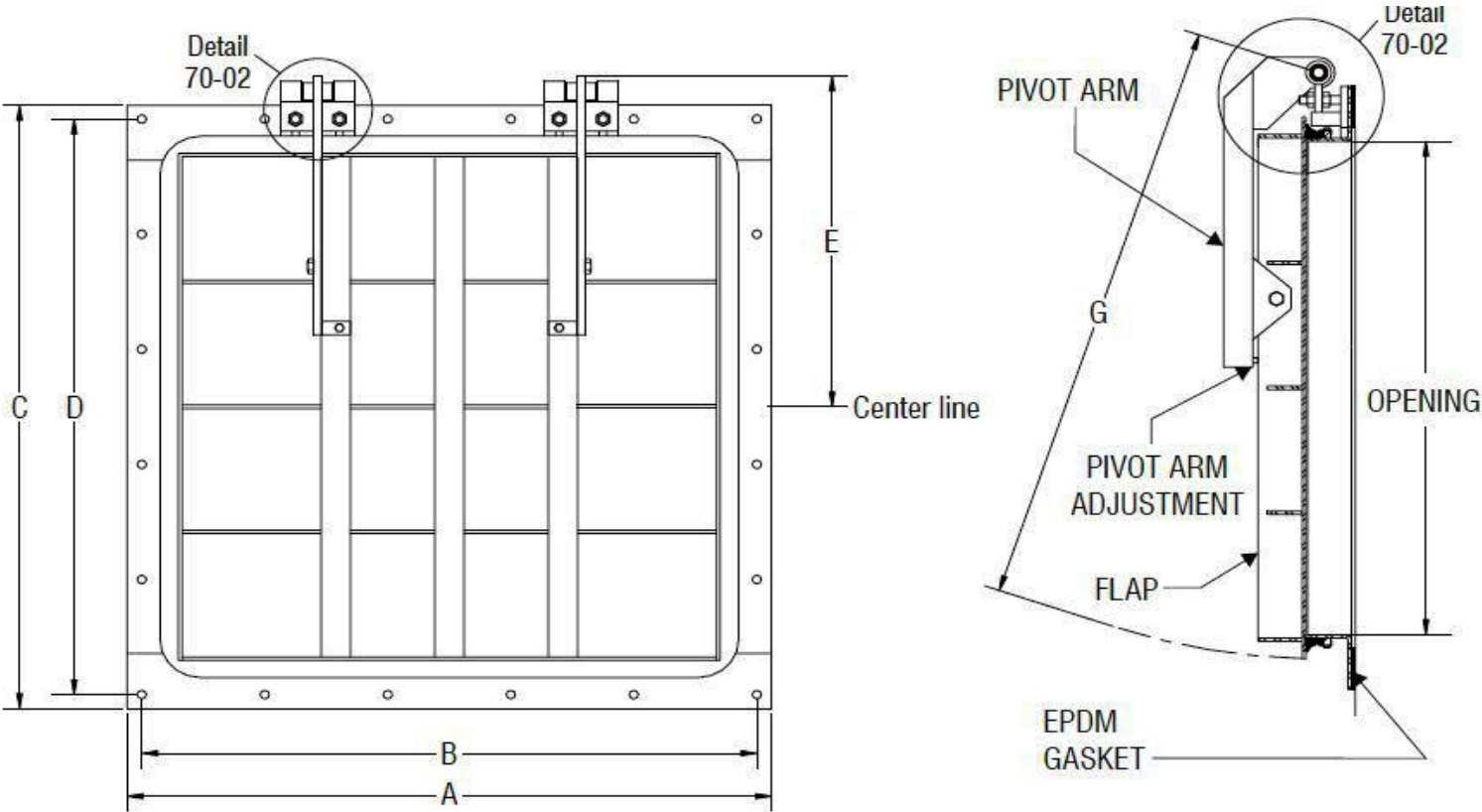
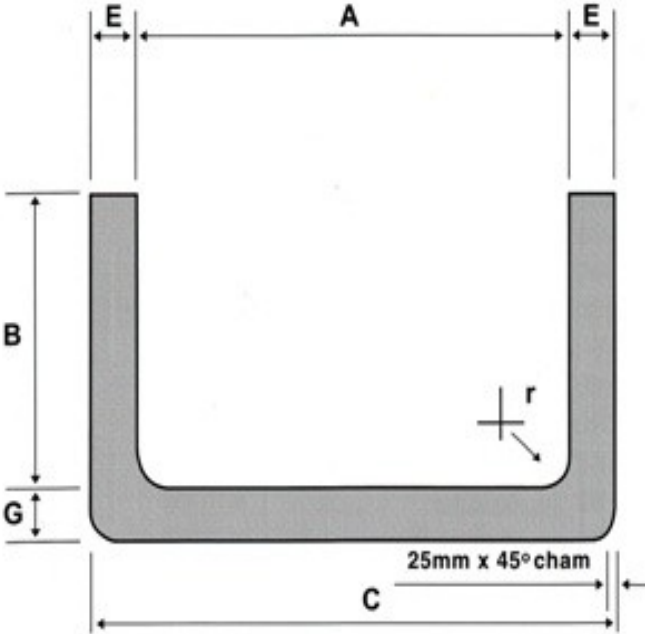
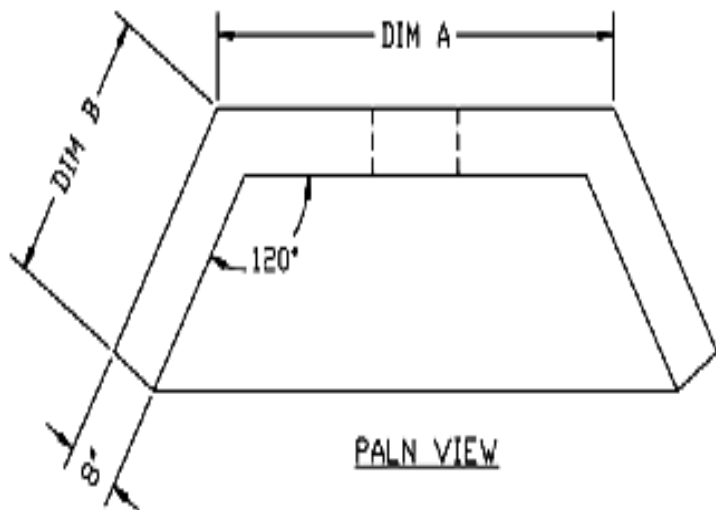


Figure 70-02
Square or rectangular flap gate sizes from 30"

LONGKANG 'U'

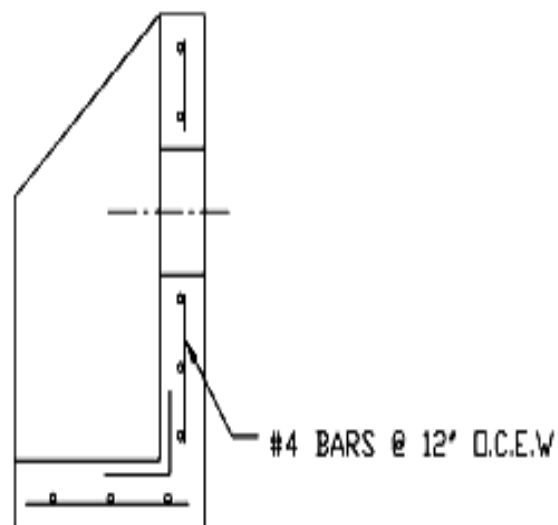
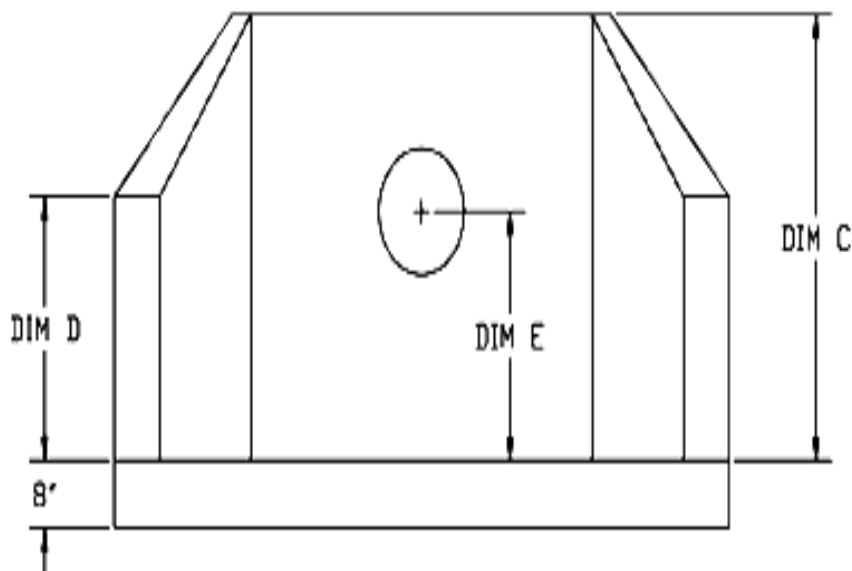


PELAN WING WALL



NOTES:

1. ALSO AVAILABLE
FROST FOOTING
FLOW DIFFUSERS
2. RECTANGULAR OPENING CAN BE CAST
FOR SEVERE ANGLES.



ELEVATION

SECTION

PIPE DIA.	DIM A	DIM B	DIM C	DIM D	DIM E	APPROX. WEIGHT
12"	36'	30'	36'	18'	12"	3,845 LBS.
15"	48'	30'	42'	21'	13 1/2"	4,760 LBS.
18"	48'	30'	42'	21'	15'	4,760 LBS.
24"	60'	36'	48'	24'	18'	6,090 LBS.
30"	72'	36'	54'	27'	21'	7,475 LBS.
36"	78'	48'	60'	30'	24"	9,945 LBS.
48"	84'	48'	72'	36'	30"	11,325 LBS.

SPECIAL SIZES NOT LISTED CAN BE MFG. UPON REQUEST

CONCRETE TO TEST 4000PSI AT 28 DAYS

PRODUCT: WINGWALL WITH APRON

540
Water landing Road
Kingston, NY 12401

PURVEYORS OF QUALITY
PRECAST CONCRETE
CUSTOM & STANDARD
FABRICATION

Tel: (845) 336-8880
Fax: (845) 336-8962



lhpccast@worldnet.att.net
www.lhpccast.com